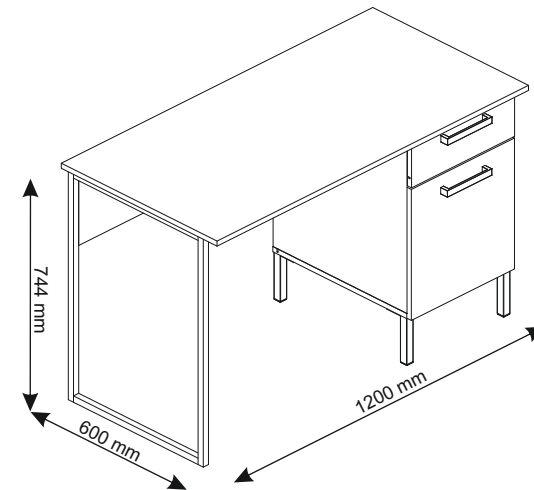
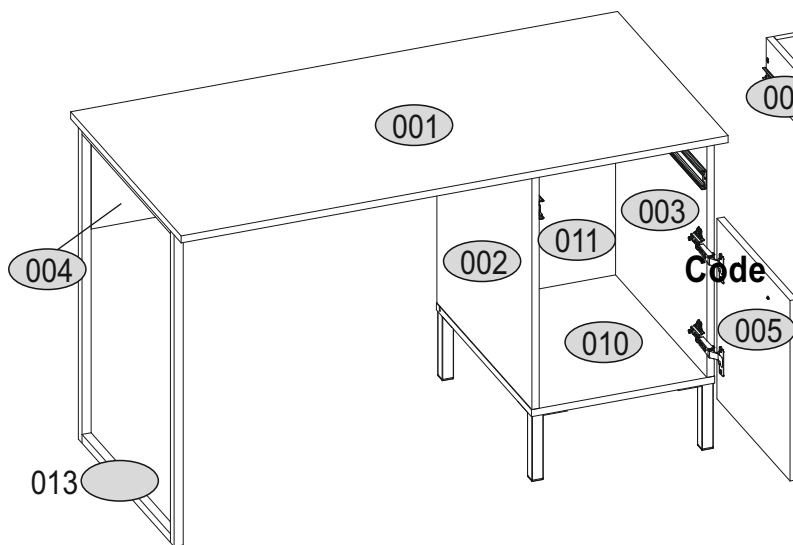
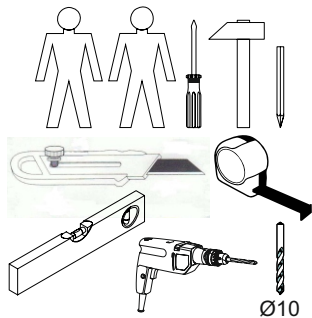
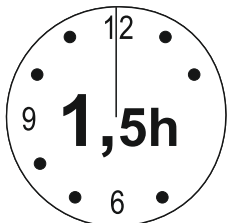
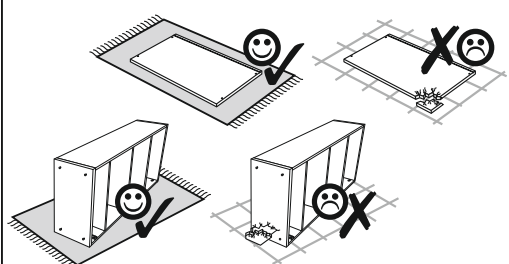
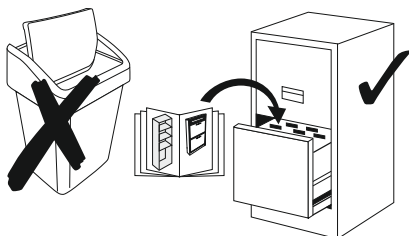


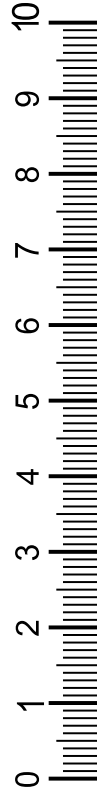
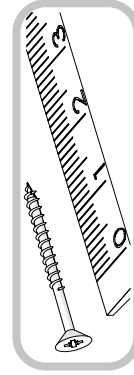
# SANTANA 1D1S/120



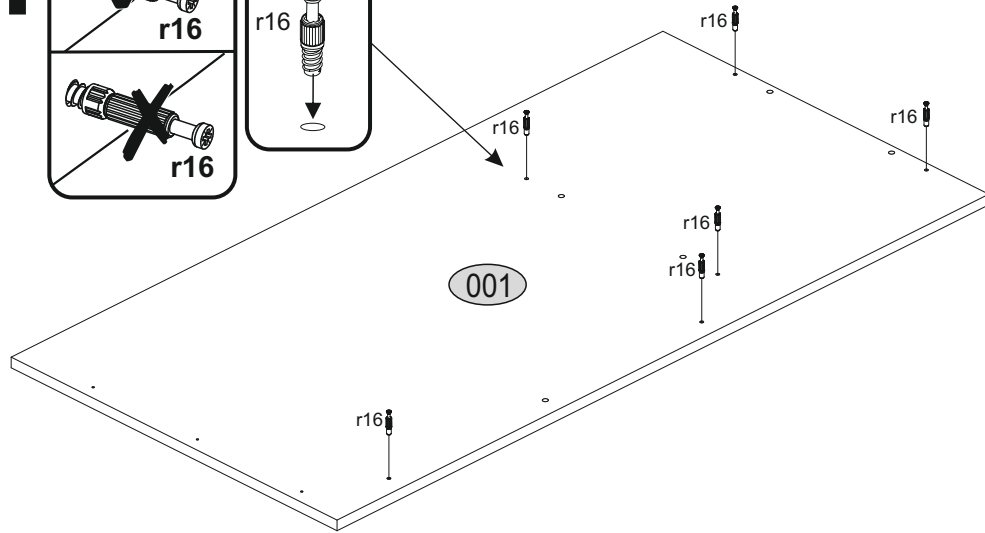
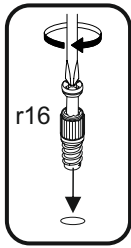
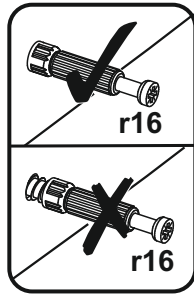
001	1200	600	16	1	1/2
002	562	516	16	1	1/2
003	562	516	16	1	1/2
004	240	764	16	1	1/2
005	412	397	16	1	1/2
006	397	158	16	1	1/2
007	400	120	16	1	1/2
008	400	120	16	1	1/2
009	311	120	16	1	1/2
010	401	516	16	1	1/2
011	571	386	2,5	1	1/2
012	402	329	2,5	1	1/2
013	725	520	20	1	2/2
					1/2



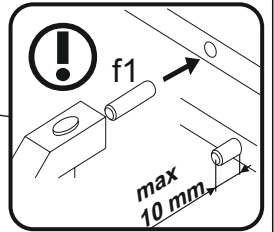
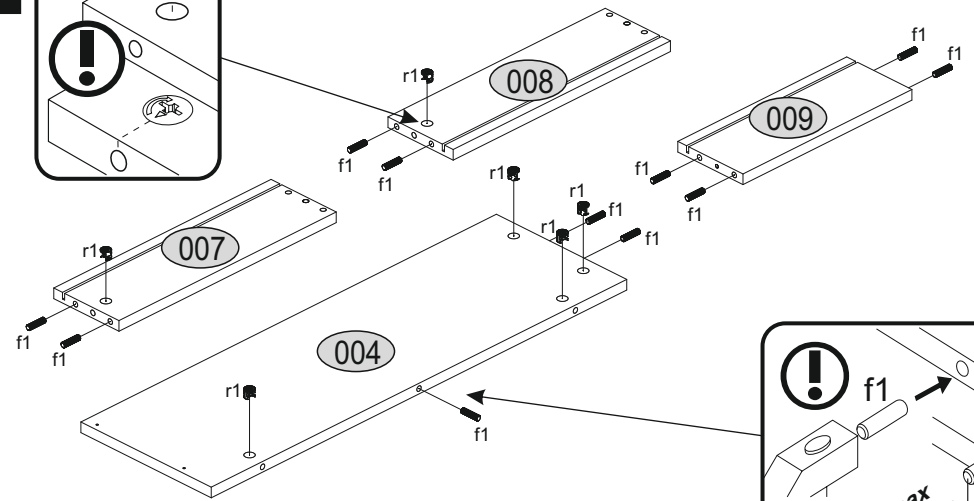
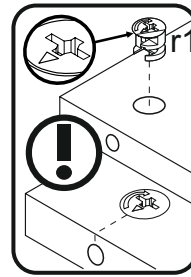
<p><b>x5</b> l2</p> 	<p><b>x2</b> a144</p> 	<p><b>x2</b> b119</p> 	<p><b>x2</b> c412.048</p> 
<p><b>x6</b> e1 Ø7x50</p> 	<p><b>x19</b> f1 Ø8x90</p> 	<p><b>x2</b> p18/1 Ø4x18</p> 	<p><b>x37</b> p25 Ø3.5x16</p> 
<p><b>x7</b> p9 Ø4x30</p> 	<p><b>x10</b> r1</p> 	<p><b>x10</b> r16</p> 	<p><b>x8</b> s2</p> 
<p><b>x4</b> k311.054</p> 	<p><b>x1</b> lb L-400</p> 	<p><b>x1</b> z1</p> 	



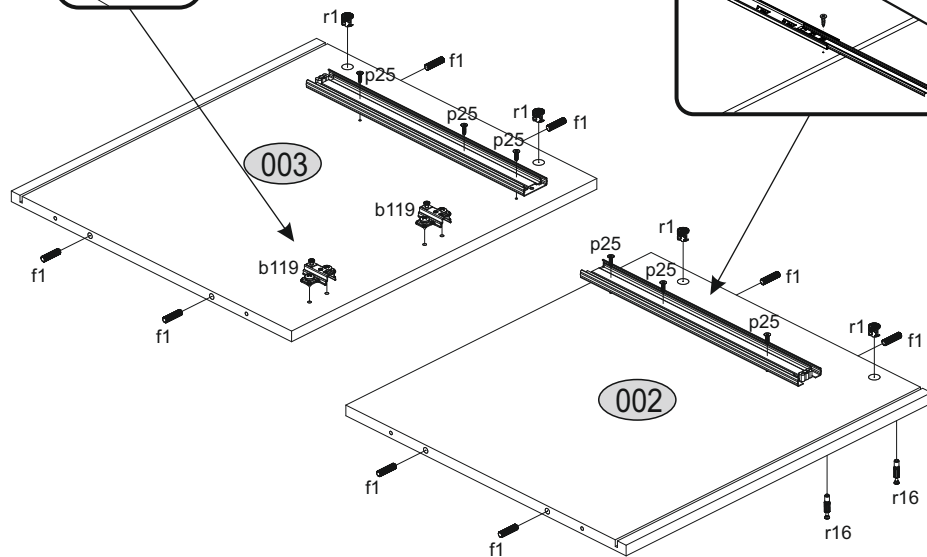
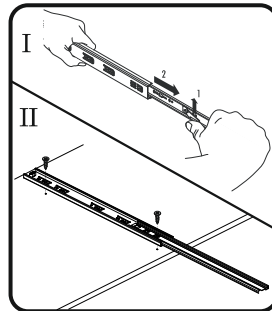
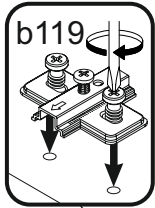
# 1



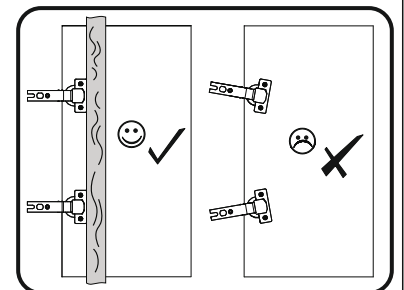
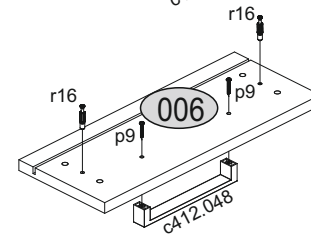
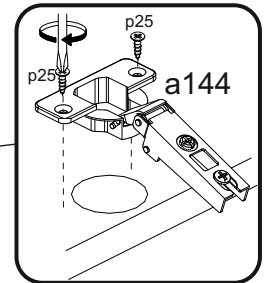
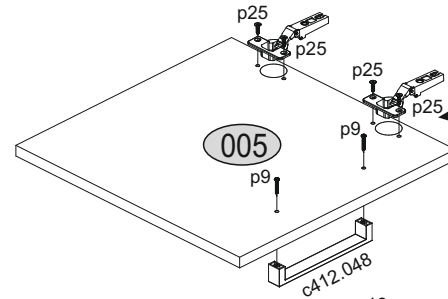
# 2



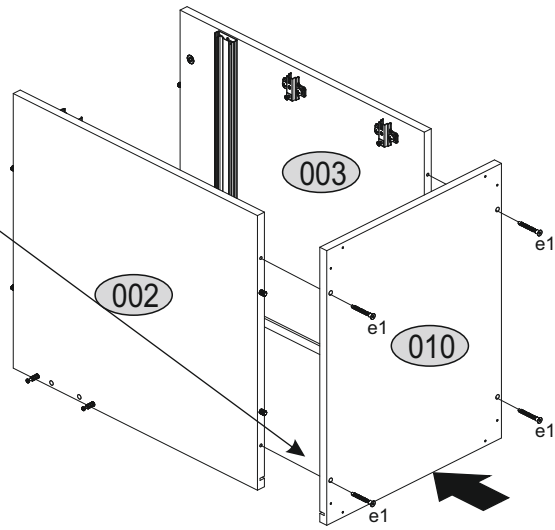
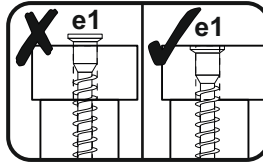
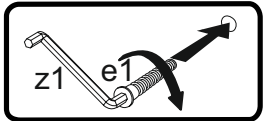
# 3



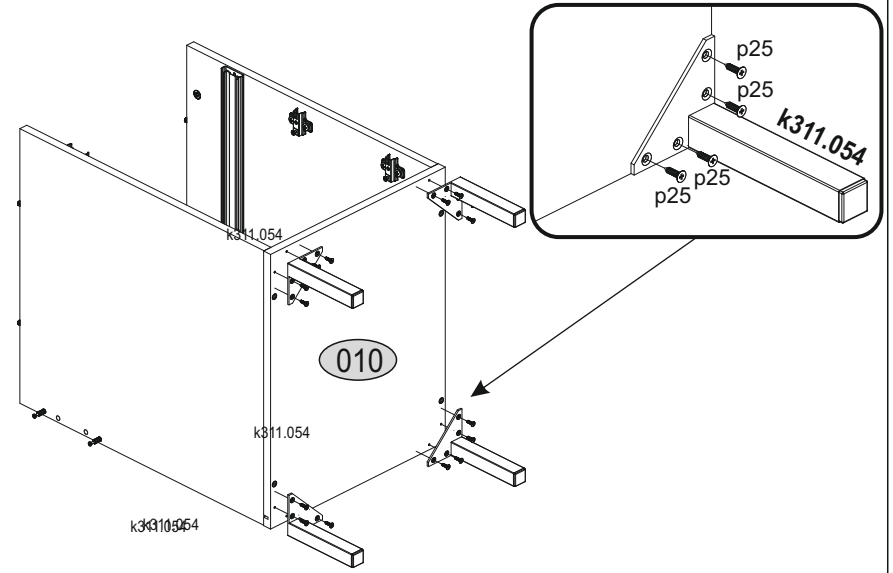
# 4



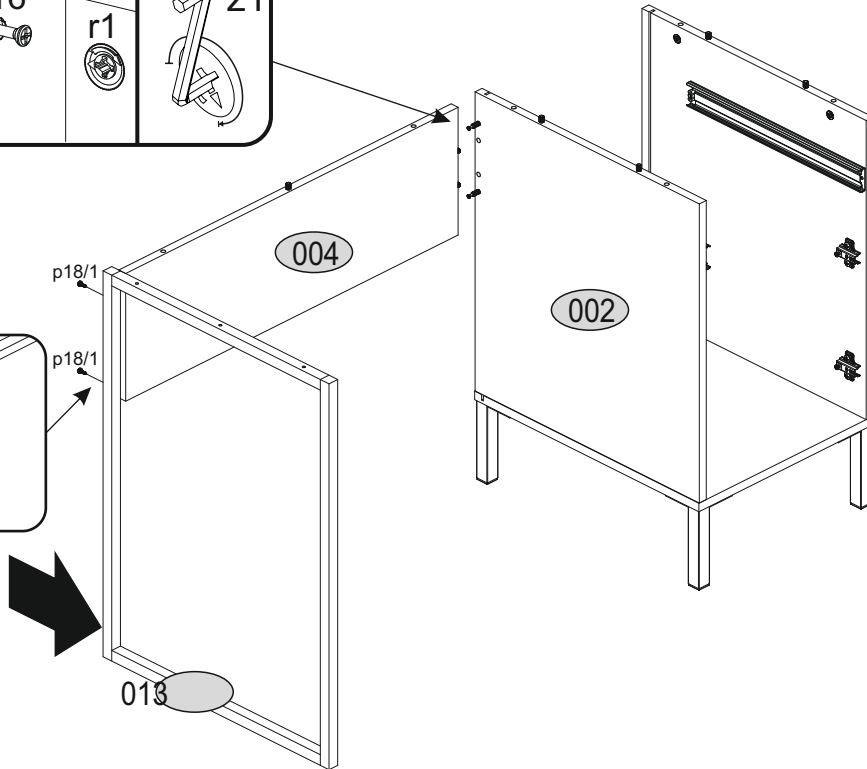
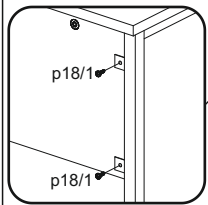
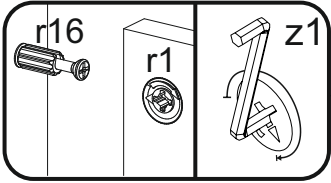
# 5



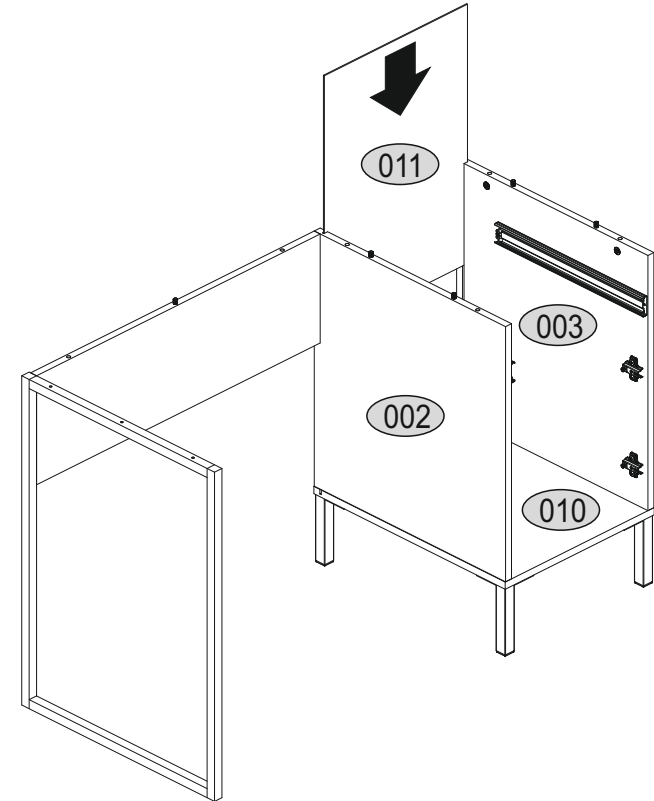
# 6



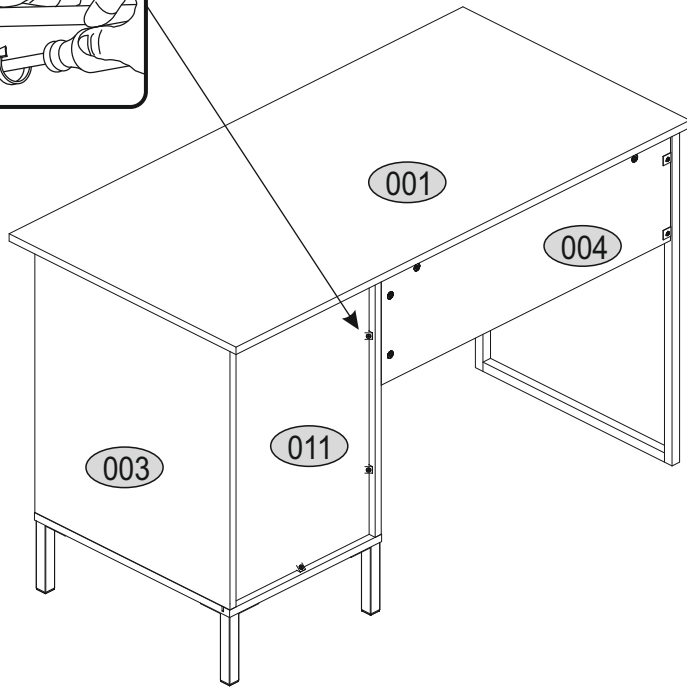
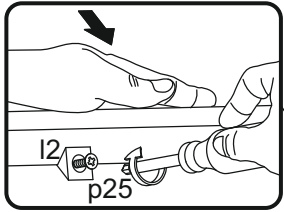
# 7



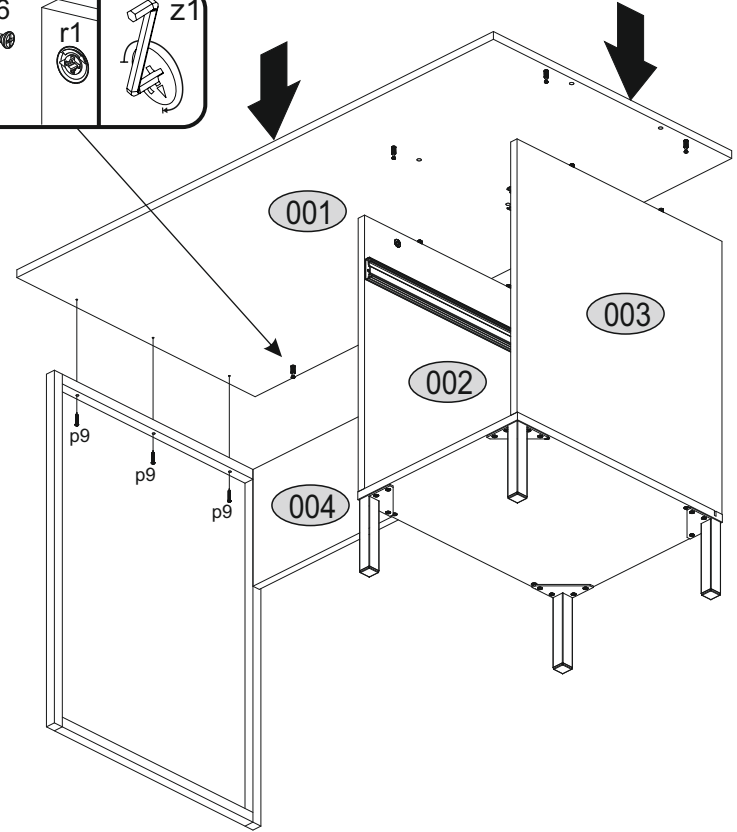
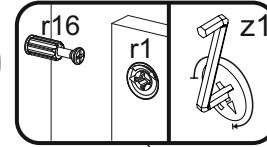
# 8



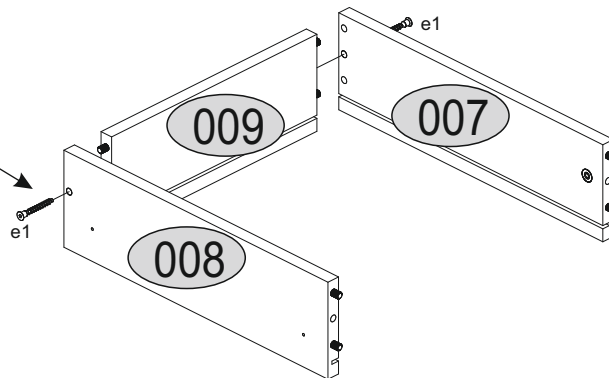
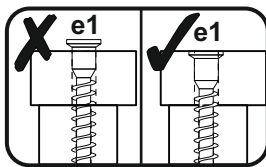
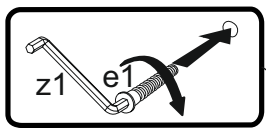
# 9



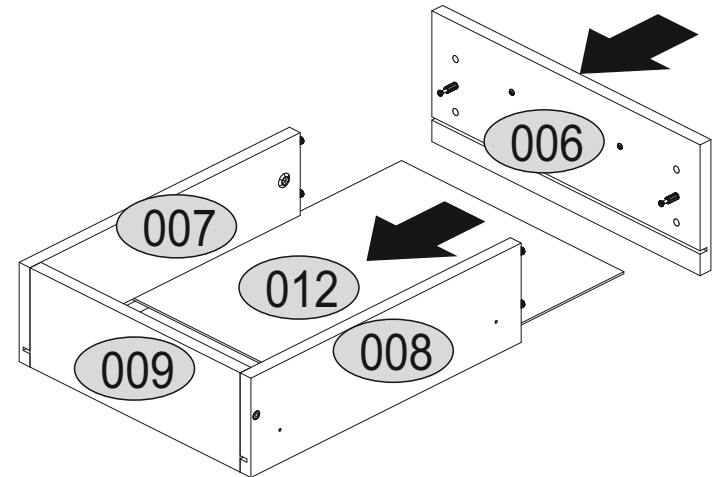
# 10



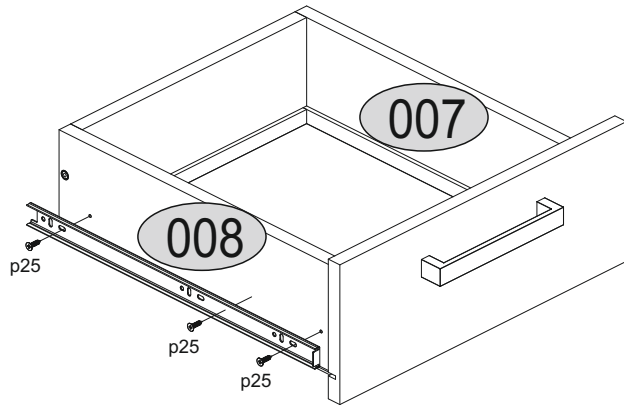
# 11



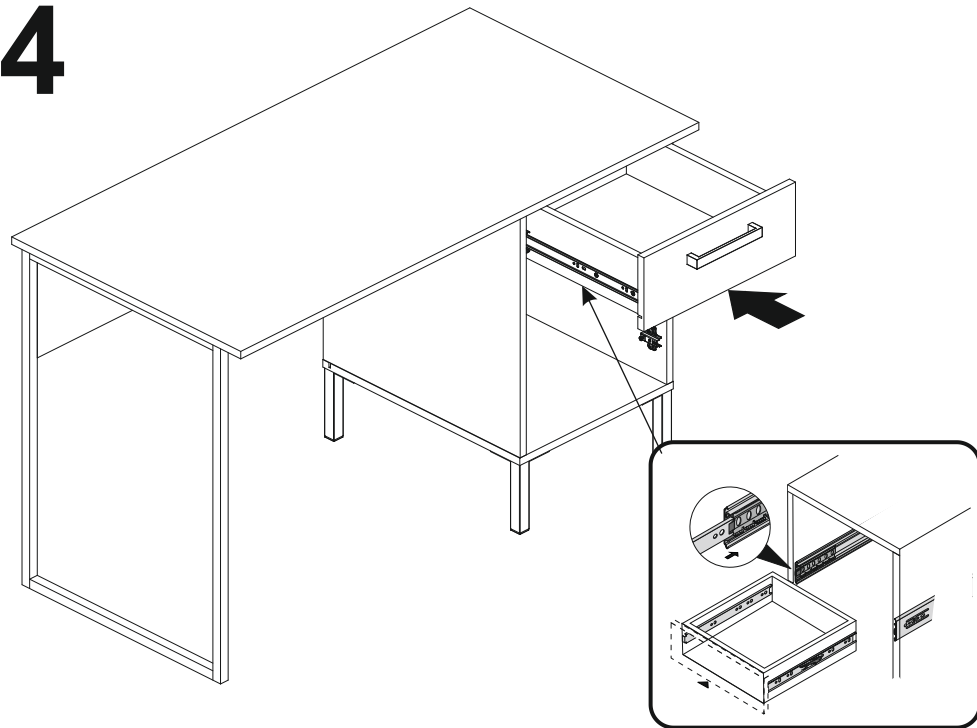
# 12



# 13



# 14



# 15

